



翰優企業有限公司

Hain-Yo Enterprises Co., Ltd

定溫蓋溫度極限設定操作說明書

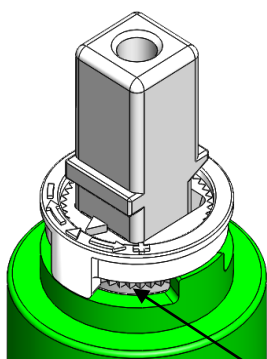
INSTRUCTION FOR MAX. TEMPERATURE SET UP OF THERMOSTATIC CONTROLLER

適用型號：25 型空轉式精密陶瓷閥 Φ25mm Ceramic Cartridge, Low Torque Structure Type

MODE NUMBER: GL02GJ、GH02GJ

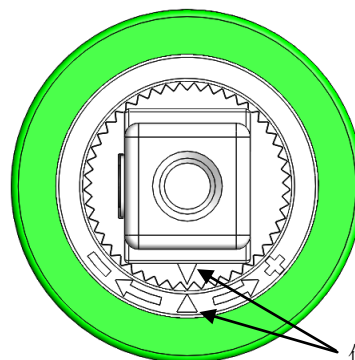
目的：此一定溫蓋功能，係控制熱水開啟角度，藉以調節熱水出水流量，以達到最大放水溫度之限制，以防燙傷。

PURPOSE: by adjusting angle of the thermostatic controller to regulate the outlet of hot water to control the maximum temperature to prevent burning.



圖一
Fig. 1

定溫蓋缺口
Gap of Temp. Adjuster



圖二
Fig. 2

傳動座基準點
DOT

操作方法：

1. 當要調節此定溫蓋時，請先確認精密陶瓷閥是否已調整在關閉位置。
2. 利用小的一字螺絲起子放在定溫蓋上的缺口位置(圖一)，以取出定溫蓋。
3. 定溫蓋取出後，在定溫蓋上有+、- 之間刻劃區域(圖二)，定溫蓋齒形對準精密陶瓷閥傳動座▽基準點，可做每一刻劃角度變化微調，用以限定想要的相對角度刻劃及放水溫度，然後再安裝組合。安裝組合後，請再次確認調節後所需的位置與角度是否正確。
4. 此定溫蓋可調整的角度為▽0°~48° (+)、▽0°~48° (-)，此一區域是從中高溫度至最高溫度，請注意調節位置及角度限定。
5. 冷熱水溫度條件：
熱水進水口溫度為 49°C (120°F) ~ 82°C (180°F) 及冷水 4°C (39°F) ~ 29°C (85°F)
6. 定溫蓋(▽)對準傳動座▽基準點為 0°，每一個齒形可調角度為 8°，共有 6 個刻劃，若無特別要求，本產品將定溫蓋定位在“▽”，▽(角度 0°)的位置上。

INSTRUCTION:

1. Make sure if the Ceramic Cartridge is on the “off” position before adjusting the temperature adjuster.
2. Put the Slotted Screwdriver on the gap of the temperature adjuster to take off the cover.(Fig. 1)
3. After taking off the temperature adjuster., there is an area between “+” and “-”. Make and fix “▽” of temp. adjuster aligned with the dot of the joint, then it can be adjusted what range you want. It’s based on different demands of outlet temperature.(Fig. 2)

NOTE: for safety reason, please re-check the position and angle you selected after the temperature set up.

4. The adjustable temperature range is from ▽0° to 48°(+) and ▽0° to 48°(-) that are from mid-high temperature to highest temperature.
5. The cold/hot water supply condition:
Hot water supply 49°C(120°F) ~ 82°C(180°F)
Cold water supply 4°C(39°F) ~ 29°C(85°F)
6. The distance of each line on the temperature adjuster ring means 8° adjusted. If there’s no specific request, the temperature adjuster ring will be set up at “▽” (0°).

* 測試條件：熱水 82°C、冷水 25°C、壓力 50psi。

* BELOW DATA WAS TESTED BY HOT WATER TEMPERATURE 82°C, COLD WATER 25 °C, PRESSURE 50 PSI

刻劃 Lines	角度 (°) Angle	出水溫度 (°C) Outlet Temp	刻劃 Lines	角度 (°) Angle	出水溫度 (°C) Outlet Temp
-1	0	83	-5	32	67
-2	8	81	-6	40	61
-3	16	77			
-4	24	72			